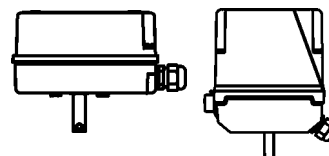


for control shut-off butterfly valves
BR16ZF

for butterfly valves
BRDR6/16
BRDRP6/16

for threaded mixing valves
BRGMMD/BRGMMV



M125

M135
M140
M150
M180

Features M125

- Specially designed linkages for fitting to other manufacturer's products
- Manual override on adapter
- Gear disengagement feature
- Rotation direction indication
- Cable inlet with traction relief

Technical data M125

Type		M125
Actuating time at 50 Hz /90°	s	130
Nominal torque	Nm	25
Power supply	VAC	230 +6% -10%
Frequency	Hz	50/60 ±5%
Power consumption	VA	6.5
Input signal		3-point

Enclosure protection: IP 43

Operating mode: S1-100% ED c/h 1200 EN 60034-1

End position switch-off: position dependent adjustable

Ambient temperature: 0...+50°C

Weight: 1.2 kg

Actuator variant and accessories M125

- Voltage: 24 VAC
- Position switch unit: 2 switches (WE3/WE4), potential free, infinitely adjustable
Rated load: max. 10 A / 250 VAC
- Potentiometer: with attachment
0.2 / 1 / 10 kOhm 1.5 VA

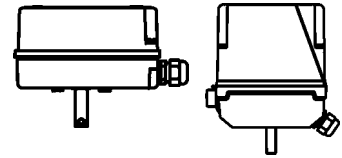
Electric quarter-turn actuators

25 - 80 Nm **8.2.2**

for control shut-off butterfly valves
BR16ZF

for butterfly valves
BRDR6/16
BRDRP6/16

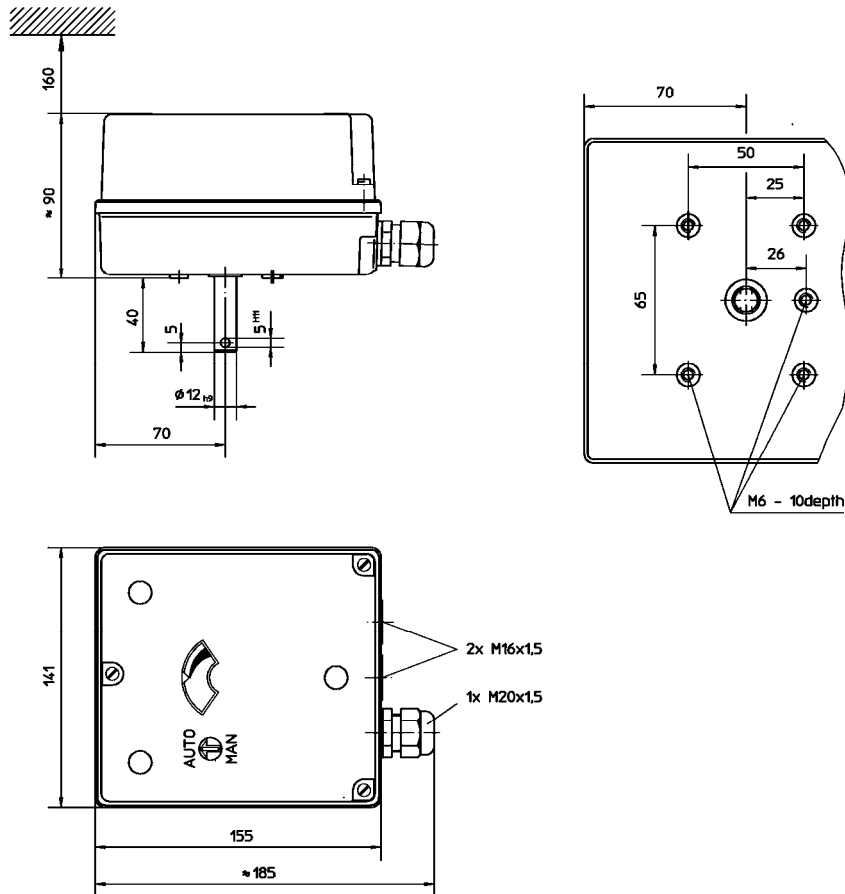
for threaded mixing valves
BRGMMD/BRGMMV



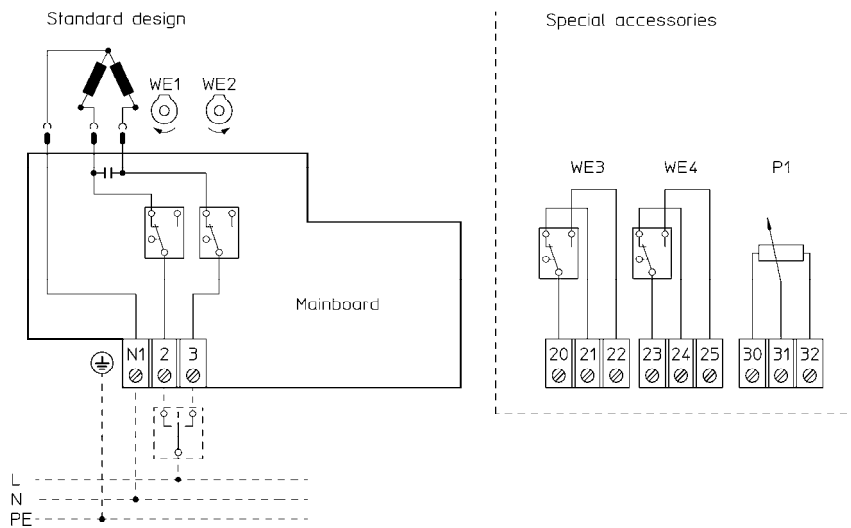
M125

- M135
- M140
- M150
- M180

Drawing M125



Circuit diagram M125

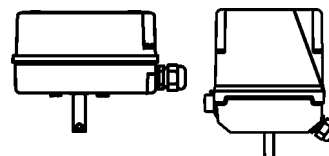


Features M135 – M180

for control shut-off butterfly valves
BR16ZF

for butterfly valves
BRDR6/16
BRDRP6/16

for threaded mixing valves
BRGMMD/BRGMMV



M125

M135
M140
M150
M180

- Specially designed linkages for fitting to other manufacturer's products
- Manual override on adapter
- Gear disengagement feature
- Rotation direction indication
- Cable inlet with traction relief

Technical data M135 – M180

Type		M135		M140
Actuating time at 50 Hz /90° ¹⁾	s	I=130	II=70	10
Nominal torque	Nm	35	15	50
Power supply	VAC	230 +6% -10%		230 +6% -10%
Frequency ¹⁾	Hz	50 or 60 ±5%		50/60 ±5%
Power consumption	VA	9		55
Input signal		3-point		3-point

Type		M150		M180	
Actuating time at 50 Hz /90° ¹⁾	s	I=130	II=70	I=130	II=70
Nominal torque	Nm	50	40	80	80
Power supply	VAC	230 +6% -10%		230 +6% -10%	
Frequency	Hz	50/60 ±5%		50/60 ±5%	
Power consumption	VA	12		26	
Input signal		3-point		3-point	

Enclosure protection: IP 54

Operating mode: M135/M150 S1-100% ED c/h 1200 EN 60034-1
M140 S3-50% ED c/h 1200 EN 60034-1
M180 S3-60% ED c/h 1200 EN 60034-1

End position switch-off: position dependent adjustable

Ambient temperature: 0...+50°C

Weight: M135/M150 2.5 kg
M140/M180 3.0 kg

¹⁾ Please state when ordering

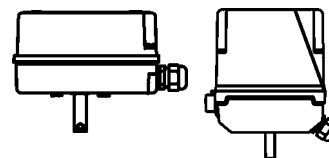
Electric quarter-turn actuators

25 - 80 Nm **8.2.2**

for control shut-off butterfly valves
BR16ZF

for butterfly valves
BRDR6/16
BRDRP6/16

for threaded mixing valves
BRGMMD/BRGMMV



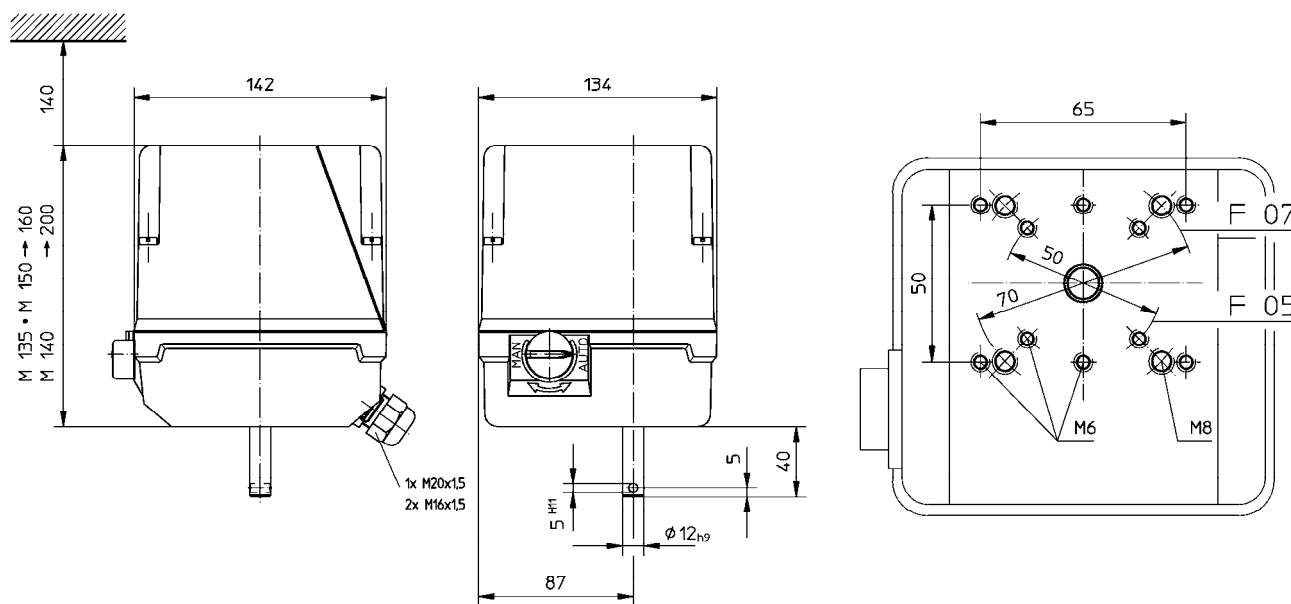
M125

M135
M140
M150
M180

Actuator variant and accessories M135 – M180

- Voltage: 24 VAC
- Position switch unit: 2 switches (WE3/WE4), potential free, infinitely adjustable
Rated load: max. 10 A / 250 VAC
- Potentiometer: with attachment
0.2 / 1 / 10 kOhm 1.5 VA
- Enclosure protection: IP 65
- Heater: -20°C ... +50°C 25 VA
24, 115, 230 VAC 50/60 Hz

Drawing M135/M140/M150



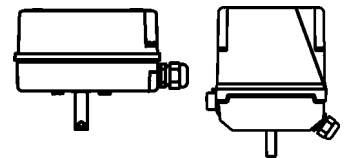
Electric quarter-turn actuators

25 - 80 Nm **8.2.2**

for control shut-off butterfly valves
BR16ZF

for butterfly valves
BRDR6/16
BRDRP6/16

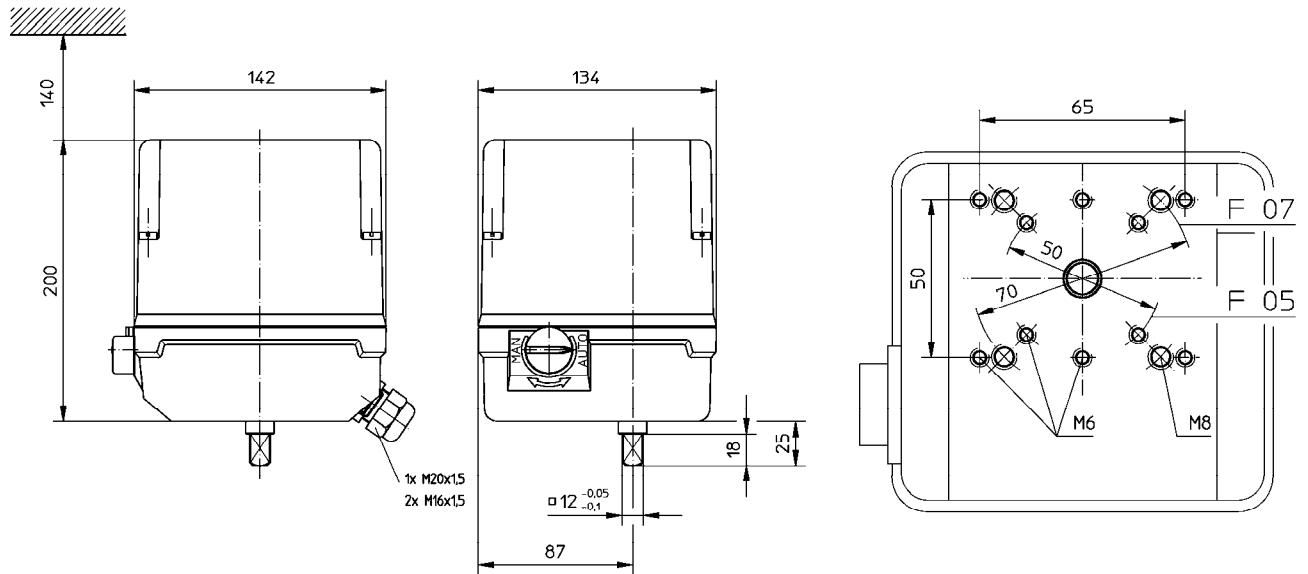
for threaded mixing valves
BRGMMD/BRGMMV



M125

M135
M140
M150
M180

Drawing M180



Circuit diagram M135/M140/M150/M180

