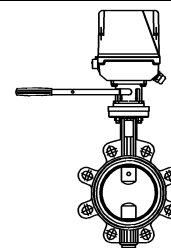


Fully lugged type	with electric quarter-turn actuators
PN 6-16	M130
Cast iron GG25 with polyester-powder coating	M140
	M180



**BR12WT**

## Features

- HVAC, sanitary and raw water plants as shut-off element for water -10...+110°C
- Leakage rate: tight sealing
- Control and shut-off butterfly valves for open and closed circuits
- Centralised flap
- Gear disengagement feature
- Manual override on adapter
- Rotation direction indication

## Technical data butterfly valve

Series	BR12 WT
Diameter nominal	DN 25 – DN 200
Pressure rating	PN 6-16
Body	Cast iron GG25 EN-JL1040 with polyester-powder coating
Seat ring	EPDM
Flap	DN25 – DN40: Stainless steel 1.4408 DN50 – DN400: SG iron GGG40 EN-JS1030 with Nylon11 coating
Shaft	CrNi-steel 1.4405
Shaft sealing	EPDM

Media: Chilled-, hot- and industrial water, water with antifreeze and anticorrosive compounds (appr. 50%): glycol, glycerine, ethylene glycol, propylene glycol, mono ethylene, ethanol, methyl alcohol, antifrogen® N+L

Flow direction: optionally from both side

Connection type: Fully lugged type PN 6-16

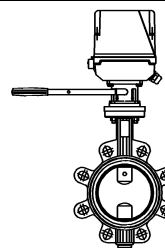
Face to face dimension: Acc. EN 558-1 basic series 20

Leakage rate: EN 1349 – seat-leakage VI G1 (tight sealing)

## Butterfly valve variant and accessories

- technical silicon free version (DN 25 – DN 200)

Fully lugged type with electric quarter-turn actuators  
 PN 6-16 M130  
 Cast iron GG25 with polyester-powder coating M140  
 M180



BR12WT

## Technical data actuator M130

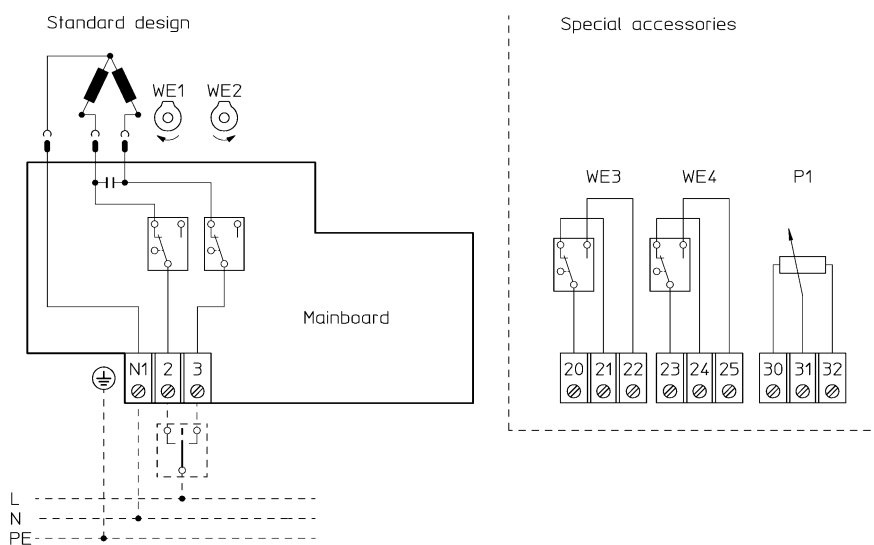
Type	M130	
Actuating time at 50 Hz /90° <sup>1)</sup>	s	130
Nominal torque	Nm	35
Power supply	VAC	230 +6% -10%
Frequency	Hz	50 or 60 ±5%
Power consumption	VA	6.5
Input signal <sup>2)</sup>		3-point

Enclosure protection: IP 54  
 Operating mode: S1-100% ED c/h 1200 EN 60034-1  
 End position switch-off: position dependent adjustable  
 Ambient temperature: 0...+50°C  
 Weight: 1.2 kg

## Actuator variant and accessories

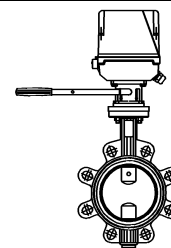
- Voltage: 24 VAC
- Position switch unit: 2 switches (WE3/WE4), potential free, infinitely adjustable  
 Rated load: max. 10 A / 250 VAC
- Potentiometer: with attachment  
 0.2 / 1 / 10 kOhm 1.5 VA

## Circuit diagram



<sup>1)</sup> at 60Hz, the operating time is reduced by ~15%

Fully lugged type	with electric quarter-turn actuators
PN 6-16	M130
Cast iron GG25 with polyester-powder coating	M140
	M180



**BR12WT**

### Technical data actuator M140 – M180

Type		M140
Actuating time at 50 Hz /90° <sup>1)</sup>	s	10
Nominal torque	Nm	50
Power supply	VAC	230 +6% -10%
Frequency <sup>1)</sup>	Hz	50 or 60 ±5%
Power consumption	VA	55
Input signal		3-point

Type		M180
Actuating time at 50 Hz /90° <sup>1)</sup>	s	130
Nominal torque	Nm	80
Power supply	VAC	230 +6% -10%
Frequency	Hz	50 or 60 ±5%
Power consumption	VA	26
Input signal		3-point

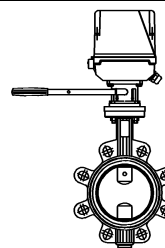
Enclosure protection:	IP 54		
Operating mode:	M140	S3-50% ED c/h 1200	EN 60034-1
	M180	S3-60% ED c/h 1200	EN 60034-1
End position switch-off:	position dependent adjustable		
Ambient temperature:	0...+50°C		
Weight:	3.0 kg		

### Actuator variant and accessories

- Voltage: 24 VAC
- Position switch unit: 2 switches (WE3/WE4), potential free, infinitely adjustable  
Rated load: max. 10 A / 250 VAC
- Potentiometer: with attachment  
0.2 / 1 / 10 kOhm 1.5 VA
- Enclosure protection: IP 65
- Heater: -20°C ... +50°C 25 VA  
24, 115, 230 VAC 50/60 Hz

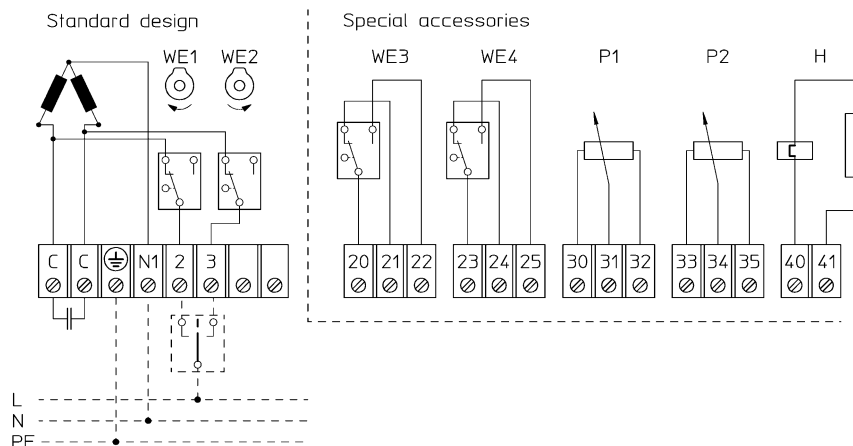
<sup>1)</sup>at 60Hz, the operating time is reduced by ~15%

Fully lugged type with electric quarter-turn actuators  
 PN 6-16 M130  
 Cast iron GG25 with polyester-powder coating M140  
 M180



BR12WT

## Circuit diagram



## Technical data butterfly valve with actuator

DN	25	32	40	50	65	80	100	125	150	200	
kvs-value	m³/h	52	72	126	124	243	397	723	1083	1591	2852
M130	I Actuating time/90° <sup>1)</sup>	s 130									
	Closing pressure	kPa	1000	1000	1000	1200	1200	1200	350		
M140	I Actuating time/90° <sup>1)</sup>	s 10									
	Closing pressure	kPa	1000	1000	1000	1200	1200	1200	350	350	
M180	I Actuating time/90° <sup>1)</sup>	s							130		
	Closing pressure	kPa							350	350	350

The closing pressure is limited by the nominal pressure.  
 100 kPa = 1 bar = 10 mWS

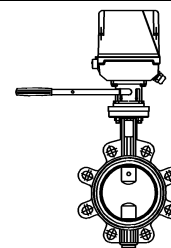
<sup>1)</sup> at 60Hz, the operating time is reduced by ~15%

# Control shut-off butterfly valves DN 25 – DN 200

PN 6-16 **4.1.1**

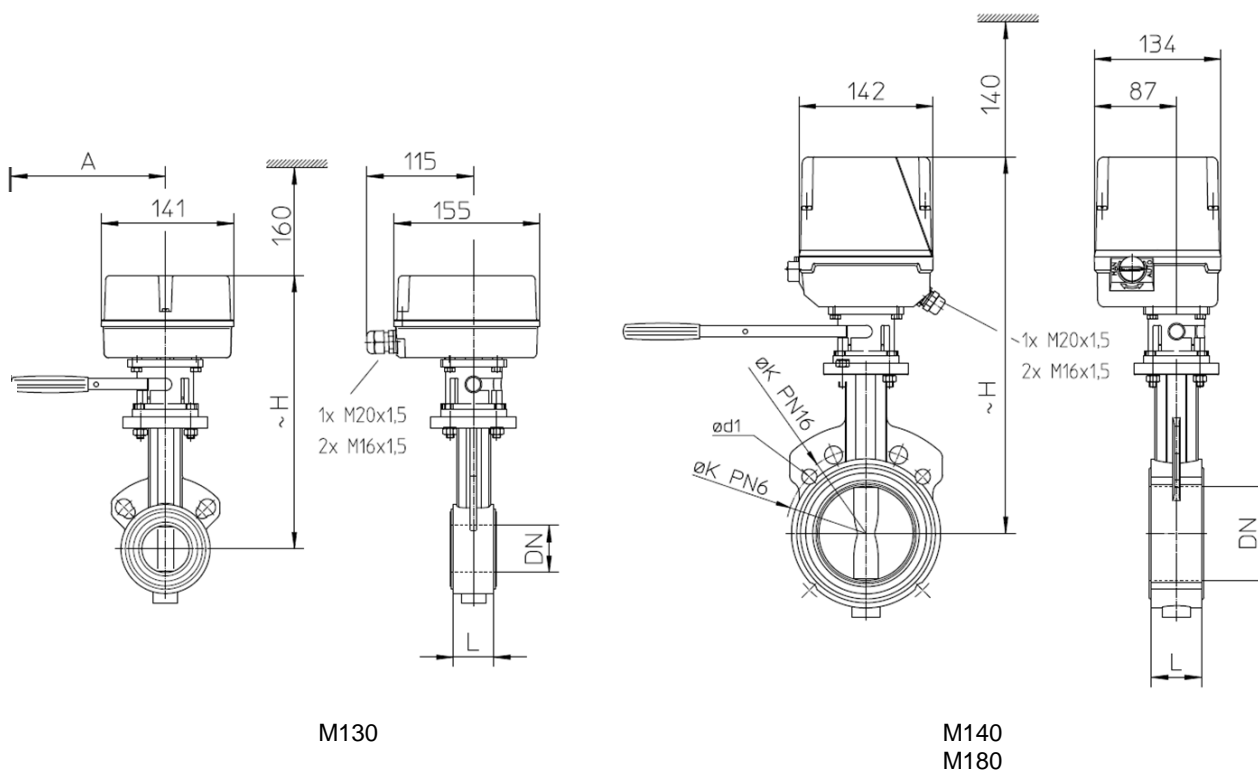
Fully lugged type  
PN 6-16  
Cast iron GG25 with polyester-  
powder coating

with electric quarter-turn actuators  
M130  
M140  
M180



BR12WT

## Drawing



## Dimension

DN		25	32	40	50	65	80	100	125	150	200
L	mm	30	32	32	42	45	45	51	55	55	59
A	mm	165	165	165	165	165	165	165	255	255	255
K	PN6	mm	75	90	100	110	130	150	170	200	280
	PN10 / PN16	mm	85	100	110	125	145	160	180	210	295
N x d1	PN6	mm	4xØ10	4xØ12	4xØ12	4xØ12	4xØ12	4xØ16	4xØ16	8xØ16	8xØ16
	PN10 / PN16	mm	4xØ12	4xØ16	4xØ16	4xØ16	4xØ16	8xØ16	8xØ16	8xØ16	8xØ20
H	M130	mm	246	261	261	303	315	322	341	-	-
	M140	mm	318	333	333	375	387	394	413	425	-
	M180	mm	-	-	-	-	-	-	-	425	438
m	M130	kg	5,0	5,0	5,0	5,5	6,0	6,5	7,5	-	-
	M140	kg	6,5	6,5	7,0	7,0	8,0	8,5	9,0	12,5	-
	M180	kg	-	-	-	-	-	-	-	12,5	14,5