

Float Valve, single and double seated, installation at tanks for liquids up to 130 °C

## Technical Data

Connection	NV 55	: DN 15 - 100
	NV 56	: DN 125 - 400
Nominal Pressure	DN 15 - 350	: PN 16 - 40
	DN 400	: PN 10 - 16
Operating Pressure	NV 55	: up to 4 bar
	NV 56	: up to 16 bar
K <sub>vs</sub> -value	2.6 - 1800 m <sup>3</sup> /h	
Design	NV 55	: single seat
	NV 56	: double seat

## Description

The NV 55 and NV 56 float valves automatically control liquid levels in sealed or open (non-pressurised) tanks and vessels without requiring external energy. The float registers the liquid level and directly controls the valve via a lever. A change in the liquid level immediately results in a changed flow volume.

NV 55 and NV 56 are pipeline valves with tank connecting flange for vertical flow. The standard soft seal ensures perfect sealing of the valve.

The valves are fitted with a float bar on which a float featuring an inner tube is mounted (cylindrical float SR 8). By changing the position of the float on the bar the required liquid level is infinitely variable.

The following note applies to float valves fitted with float bars: If the liquid level is below the float bar i.e. if the float points downward, a guide for the float bar should be installed.

When enquiring or ordering please quote the suffix letters given below:

Z	=	Inlet. Valve closes when float rises
A	=	Outlet. Valve closes when float drops
o	=	Upward flow
u	=	Downward flow
r	=	includes sealed spindle

Example: Float valve NV 55Z/o (inlet valve for upward flow).

## STANDARD EQUIPMENT

- Tank connecting flange
- Float bar stainless steel
- Cylindrical float SR 8 stainless steel

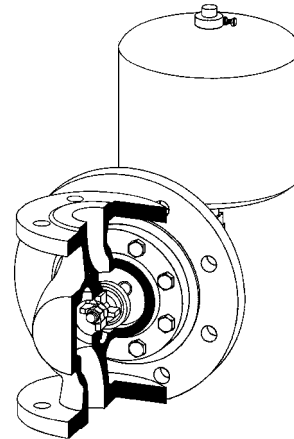
## OPTIONS

- Rubber or plastic coating for corrosive media
- Various seal materials suitable for your medium
- Spindle sealed against the tank (for example with Rießler plants)

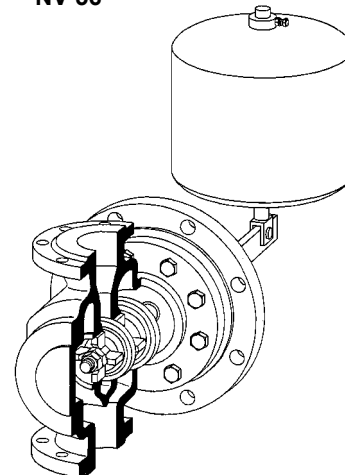
Operating instructions, Know How and Safety instructions must be observed.

The pressure has always been indicated as overpressure. We reserve the right to alter technical specifications without notice.

NV 55



NV 56



Pressure Range [bar] and K <sub>vs</sub> -values [m <sup>3</sup> /h]									
type	NV 55								
press. range	nominal diameter DN								
bar	15	20	25	32	40	50	65	80	100
0 - 1	2.6	3.5	3.5	5.7	7.6	15	27	47	80
0 - 4	2.6	3.5	3.5	5.7	7.6	7.6	15	27	47

Pressure Range [bar] and K <sub>vs</sub> -values [m <sup>3</sup> /h]								
type	NV 56							
press. range	nominal diameter DN							
bar	125	150	200	250	300	350	400	
0 - 1	140	230	380	570	1000	1000	1800	
0 - 4	84	140	230	380	570	570	1000	
0 - 16	46	84	140	230	380	380	570	

Please state working pressure range, when inquiring or ordering

Float Valve, single and double seated, installation at tanks for liquids up to 130 °C

Materials		
Gehäuse	PN 16	up to DN 25 grey cast iron from DN 32 spheroidal cast iron
	PN 25 - 40	cast steel
	PN 16 - 40	optional CrNiMo-steel *
Cone and Seat		Cr-steel optional CrNiMo-steel
Cone Guide		gun metal optional CrNiMo-steel
Valve Seal		EPDM

\* up to DN 100 made of CrNiMo-steel use NV 67e

Dimensions [mm] and Weights [kg] NV 55 PN 10/16*										
size	nominal diameter DN									
	15	20	25	32	40	50	65	80	100	
A	130	150	160	180	200	230	290	310	350	
B	180	180	180	200	200	200	300	300	300	
C	55	55	55	125	125	125	105	105	105	
D	95	95	95	115	115	115	175	175	175	
E	210	210	210	280	280	280	420	420	420	
F	30	30	30	40	40	40	60	60	60	
DN	100	100	100	125	125	125	200	200	200	
kg	10	11	12	19	21	24	45	53	65	

\* PN 25/40 on request

NV 55 necessary Cylindrical Float ø SR 8 [mm] (ø = height)*										
press. range bar	nominal diameter DN									
	15	20	25	32	40	50	65	80	100	
0 - 1	200	200	200	200	200	240	280	280	305	
0 - 4	240	240	240	240	280	280	305	340	420	

\*dimensions and weights see sheet no. SR 2.1.041.1

Dimensions [mm] and Weights [kg] NV 56 PN 10/16*								
size	nominal pressure							
	125	150	200	250	300	350	400	
A	400	480	600	730	850	980	1100	
B	340	410	460	500	550	550	550	
C	185	200	210	250	290	290	385	
D	235	255	295	350	380	380	380	
E	420	490	630	700	770	770	770	
F	60	70	90	100	110	110	110	
DN	250	250	300	350	400	400	500	
kg	98	133	222	302	510	570	725	

\* PN 25/40 on request

NV 56 necessary Cylindrical Float ø SR 8 [mm] (ø = height)*								
Druckbereich bar	Nennweite DN							
	125	150	200	250	300	350	400	
0 - 1	240	305	305	340	380	380	380	
0 - 4	280	340	340	380	420	420	460	
0 - 16	380	420	460	500	600	600	600	

\*dimensions and weights see sheet no. SR 2.1.041.1

Special designs on request.

The pressure has always been indicated as overpressure.

Mankenberg reserves the right, to alter or improve the designs or specifications of the products described herein without notice.

