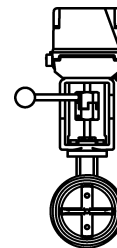


Wafer type with electric actuators
 PN 6-16 M125 • M125
 Cast iron M135 • M135
 M140 • M140
 M150 • M150



BRDR6/16
BRDRP6/16

Features

- Suitable as control or shut-off butterfly valve in HEVAC systems for water 0...+110°C
- For connecting and disconnecting a heat exchanger in boiler sequencing applications
- Centralised flap
- Gear disengagement feature
- Rotation direction indication

Technical data butterfly valve

Series	BRDR6/16		BRDRP6/16	
	Diameter nominal	DN 25 – DN 200		DN 25 – DN 200
Pressure rating	PN 6-16		PN 6-16	
Leakage rate	≤ 0.5% of kvs-value		≤ 0.05% of kvs-value	
Body	Cast iron	EN-JL1040	Cast iron	EN-JL1040
Seat ring	Cast iron	EN-JL1040	PTFE	
Flap	Bronze	CC491K	Bronze	CC491K
Shaft	CrNi-steel	1.4057	CrNi-steel	1.4057
Shaft sealing	O-ring	EPDM	O-ring	EPDM

Media: Hot water, water with antifreeze and anticorrosive compounds (appr. 50%): glycol, glycerine, ethylene glycol, propylene glycol, mono ethylene, ethanol, methyl alcohol, antifrogen[®] N+L

Flow direction: optionally from both side

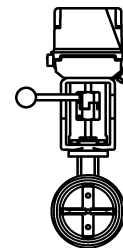
Connection type: Wafer type PN 6-16

Butterfly valves

PN 6-16 **5.1.1**

Wafer type
PN 6-16
Cast iron

with electric actuators
M125 • M125
M135 • M135
M140 • M140
M150 • M150

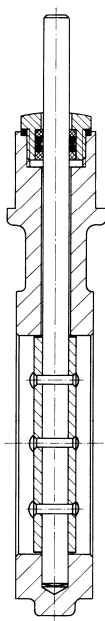


BRDR6/16
BRDRP6/16

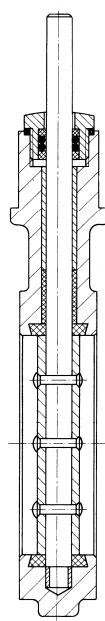
Butterfly valve variant

- Special varnish, max. 80°C

Drawing



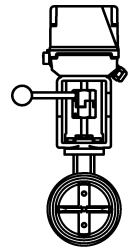
BRDR6/16



BRDRP6/16

Wafer type
 PN 6-16
 Cast iron

with electric actuators
 M125 • M125
 M135 • M135
 M140 • M140
 M150 • M150



BRDR6/16
BRDRP6/16

Technical data actuator M125

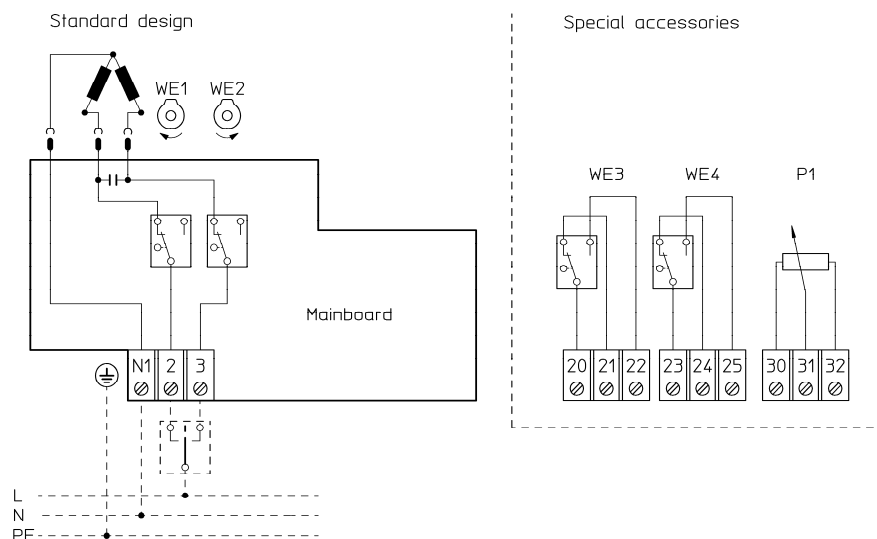
Type	M125	
Actuating time at 50 Hz /90°	s	130
Nominal torque	Nm	25
Power supply	VAC	230 +6% -10%
Frequency	Hz	50/60 ±5%
Power consumption	VA	6.5
Input signal	3-point	

Enclosure protection: IP 43
 Operating mode: S1-100% ED c/h 1200 EN 60034-1
 End position switch-off: position dependent adjustable
 Ambient temperature: 0...+50°C
 Weight: 1.2 kg

Actuator variant and accessories

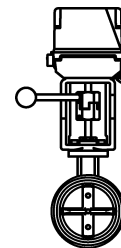
- Voltage: 24 VAC
- Position switch unit: 2 switches (WE3/WE4), potential free, infinitely adjustable
 Rated load: max. 10 A / 250 VAC
- Potentiometer: with attachment
 0.2 / 1 / 10 kOhm 1.5 VA

Circuit diagram



01/06/2009 Data subject to change without notice

Wafer type with electric actuators
 PN 6-16 M125 • M125
 Cast iron M135 • M135
 M140 • M140
 M150 • M150



BRDR6/16
BRDRP6/16

Technical data actuator M135 – M150

Type		M135		M140
		I=130	II=70	
Actuating time at 50 Hz /90° ¹⁾	s			10
Nominal torque	Nm	35	15	50
Power supply	VAC	230 +6% -10%		230 +6% -10%
Frequency ¹⁾	Hz	50 or 60 ±5%		50/60 ±5%
Power consumption	VA	9		55
Input signal		3-point		3-point

Type		M150	
		I=130	II=70
Actuating time at 50 Hz /90° ¹⁾	s		
Nominal torque	Nm	50	40
Power supply	VAC	230 +6% -10%	
Frequency	Hz	50/60 ±5%	
Power consumption	VA	12	
Input signal		3-point	

Enclosure protection: IP 54

Operating mode: M135/M150 S1-100% ED c/h 1200 EN 60034-1
 M140 S3-50% ED c/h 1200 EN 60034-1

End position switch-off: position dependent adjustable

Ambient temperature: 0...+50°C

Weight: M135/M150 2.5 kg
 M140 3.0 kg

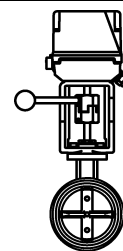
Actuator variant and accessories

- Voltage: 24 VAC
- Position switch unit: 2 switches (WE3/WE4), potential free, infinitely adjustable
 Rated load: max. 10 A / 250 VAC
- Potentiometer: with attachment
 0.2 / 1 / 10 kOhm 1.5 VA
- Enclosure protection: IP 65
- Heater: -20°C ... +50°C 25 VA
 24, 115, 230 VAC 50/60 Hz

¹⁾ Please state when ordering

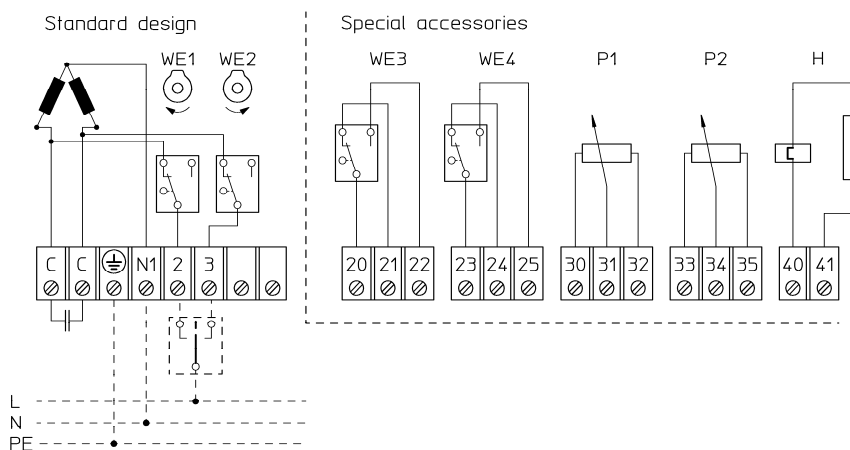
Wafer type
 PN 6-16
 Cast iron

with electric actuators
 M125 • M125
 M135 • M135
 M140 • M140
 M150 • M150



BRDR6/16
BRDRP6/16

Circuit diagram



Technical data butterfly valve with actuator

DN		25	32	40	50	65	80	100	125	150	200		
kvs-value		m³/h		12	20	47	85	165	250	435	745	1350	2300
M125	I Actuating time/90°	s 130											
	Closing pressure	kPa 1600 1600 1600 1200 700 350 200											
M135	I Actuating time/90°	s 130											
	Closing pressure	kPa 1600 1600 1600 1600 1100 550 300 150 80 30											
	II Actuating time/90°	s 70											
M140	I Actuating time/90°	s 10											
	Closing pressure	kPa 1600 1600 1600 1600 1600 850 450 230 130 50											
M150	I Actuating time/90°	s 130											
	Closing pressure	kPa 1600 850 450 230 130 50											
	II Actuating time/90°	s 70											
	Closing pressure	kPa 1200 600 350 170 100 40											

The closing pressure is limited by the nominal pressure.
 100 kPa = 1 bar = 10 mWS

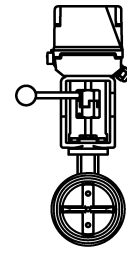
01/06/2009 Data subject to change without notice

Butterfly valves

PN 6-16 **5.1.1**

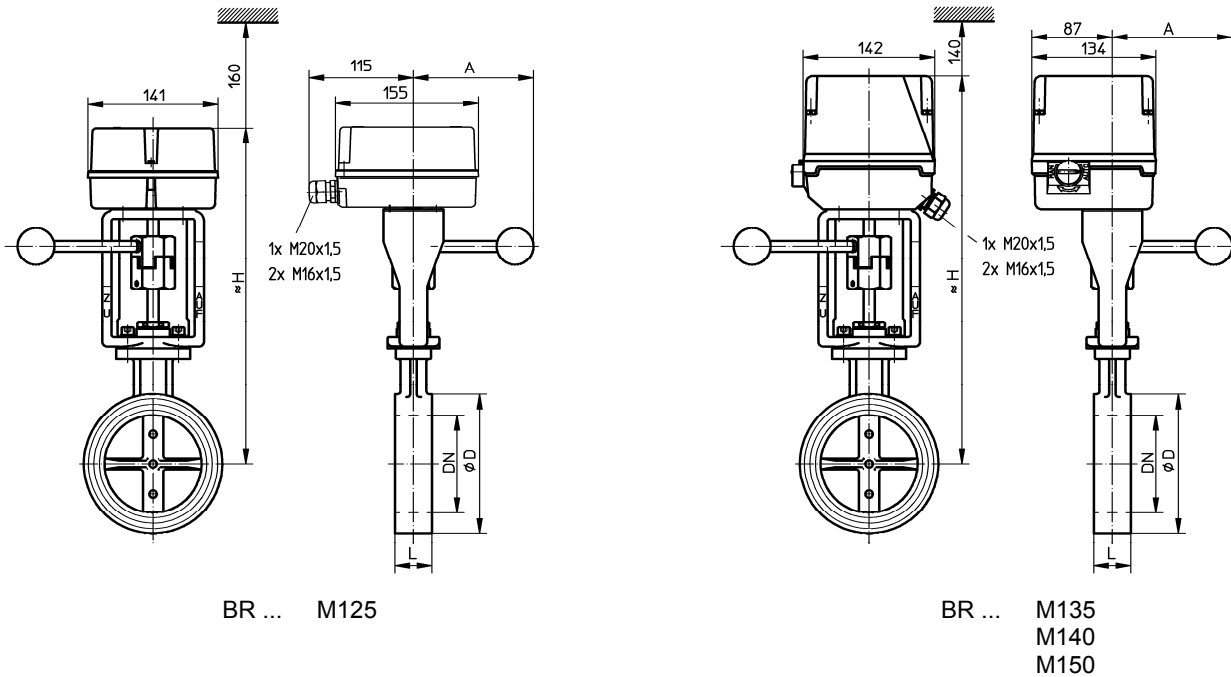
Wafer type
PN 6-16
Cast iron

with electric actuators
M125 • M125
M135 • M135
M140 • M140
M150 • M150



BRDR6/16
BRDRP6/16

Drawing



Dimension

DN		25	32	40	50	65	80	100	125	150	200
L	mm	30	30	30	35	35	40	40	45	45	50
D	mm	62	75	85	95	115	130	150	180	205	260
A	BRDR6/16	mm	160	160	160	160	160	160	160	160	170
	BRDRP6/16	mm	170	170	170	170	170	170	170	170	170
H	M125	mm	320	330	335	345	350	360	370		
	M135 / M140	mm	385	395	400	410	415	425	435	450	470
	M150	mm					415	425	435	450	470
m	M125	kg	3.7	4.0	4.2	4.6	5.2	5.9	6.5		
	M135 / M140	kg	5.0	5.3	5.5	5.9	6.5	7.2	7.8	9.5	10.4
	M150	kg					6.5	7.2	7.8	9.5	10.4